

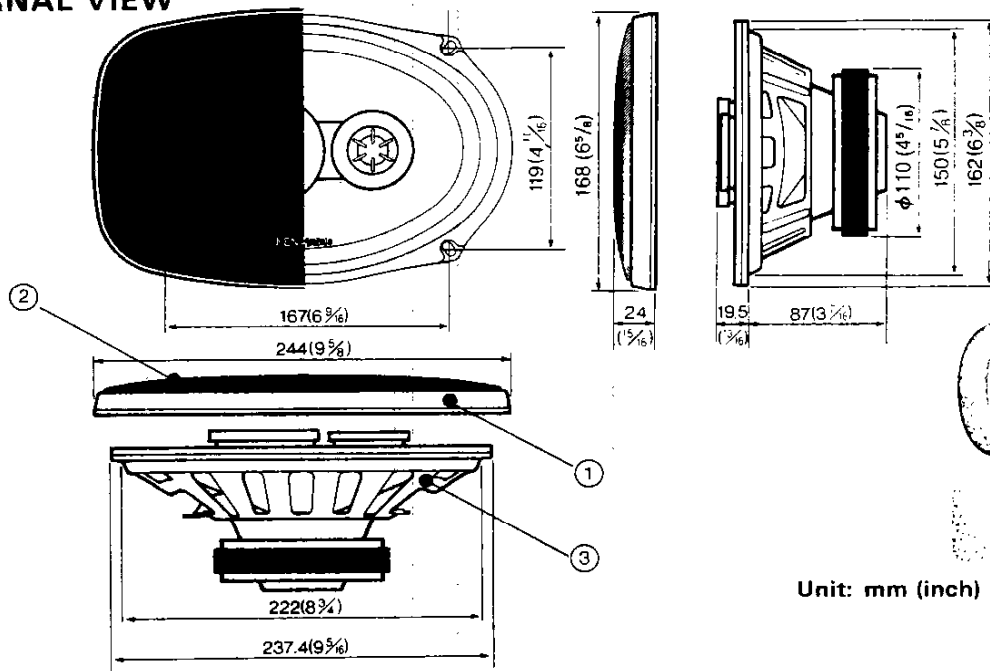
# KFC-6991

## SERVICE MANUAL

# KENWOOD

© 1988-1 PRINTED IN JAPAN  
B51-3411-10 (G) 1107

### EXTERNAL VIEW



Q.C.  
COPY

Unit: mm (inch)

### PARTS INCLUDED

- (M4-70mm) × 8
- × 8
- M4 × 8
- φ4 × 8
- M4 × 8
- × 2
- (φ4-40) × 8
- 5m(16.4ft) × 2

### SPECIFICATIONS

- Speakers
- Woofers..... 6 × 9in cone type, 20oz magnet
  - Mid-Range..... 1in dome type, 3.0oz magnet
  - Tweeter..... 5/8in dome type, 1.3oz magnet
  - Peak input power..... 200 Watts
  - Sensitivity..... 92dB/W at 1m
  - Impedance..... 4 ohms
  - Weight per speaker with grille..... 2.4kg (5.3lb)/pc

### PARTS LIST

★ New parts  
Parts without **Parts No.** are not supplied.  
Les articles non mentionnes dans le **Parts No.** ne sont pas fournis.  
Teile ohne **Parts No.** werden nicht geliefert.

Ref No.	New Parts	Parts No.	Description
①		B06-0273-08	FRAME
		E30-1457-08	SPEAKER CORD
②		F09-0841-08	SCREEN
		N99-0218-08	SCREW SET
③	★	T15-0103-08	SPEAKER

We follow a policy of advancements in development.  
For this reason specifications may be changed without notice.